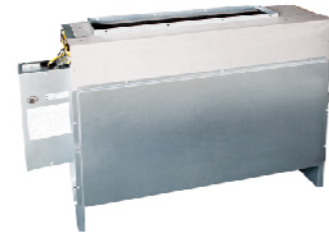


Indoor Unit

Indoor Unit

Floor Concealed Type

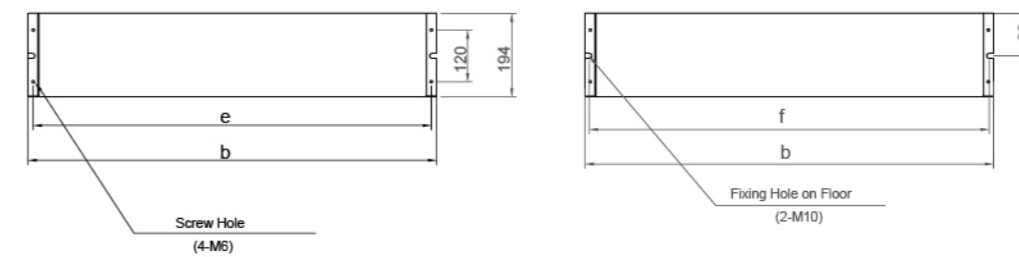
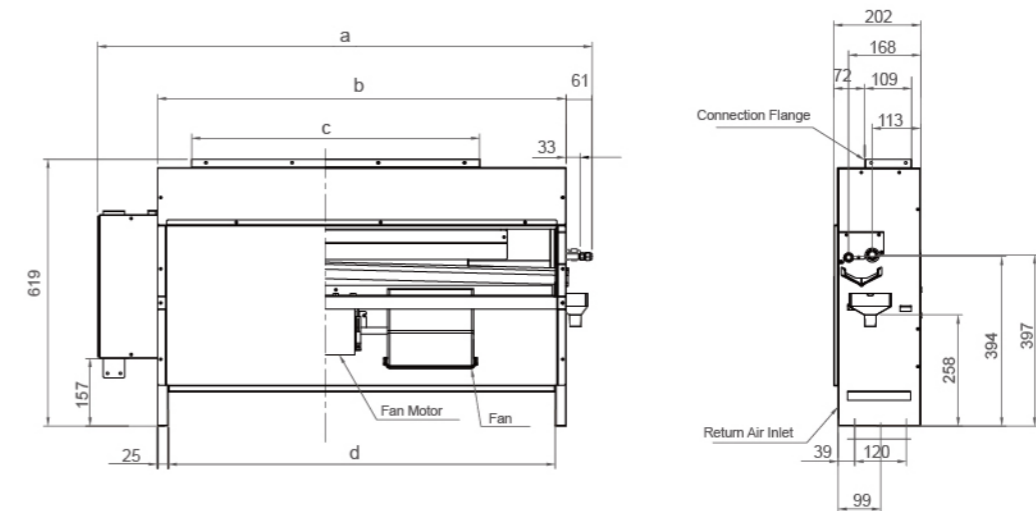
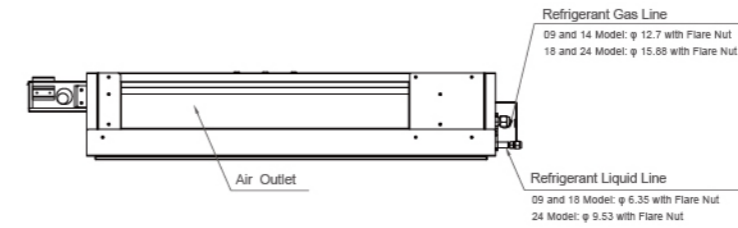


Compact Design for Limited Space Inside of Perimeter Wall

So compact that it fits into even a tiny space

Special emphasis placed on interior design compatibility as well as space saving design, allowing it to fit perfectly into the space below a bay window. So compact that it fits into even a tiny space.

Models: AVH-09~24* Model Unit:mm



Outdoor Unit Specifications

Indoor Unit		Floor Concealed Type			
Model Power Supply	AC1Φ, 220~240V/50Hz	AVH-09UXCSAA	AVH-14UXCSAA	AVH-18UXCSBA	AVH-24UXCSBA
	AC1Φ, 220V/60Hz	AVH-09UX2SAA	AVH-14UX2SAA	AVH-18UX2SBA	AVH-24UX2SBA
Nominal Cooling Capacity	KW	2.8	4.3	5.6	7.1
	Kcal/h	2,400	3,700	4,800	6,100
	Btu/h	9,600	14,700	19,100	24,200
Nominal Heating Capacity	KW	3.3	4.9	6.5	8.5
	Kcal/h	2,800	4,200	5,600	7,300
	Btu/h	11,300	16,700	22,200	29,000
Noise Level (H/M/L)	dB(A)	34-31-27	40-36-34	41-36-32	44-40-36
Cabinet Color		Silky White			
Outer Dimensions	H-mm	620	620	620	620
	W-mm	900	900	1170	1170
	D-mm	202	202	202	202
Net Weight	Kg	18	22	26	27
Air Flow Rate (H/M/L)	m ³ /h	510/450/380	620/540/480	890/740/630	980/830/710
Motor Power	W	50	80	90	120
Piping Connections		Flare-nut Connection(with Flare Nuts)			
Liquid Line	mm	φ6.35	φ6.35	φ6.35	φ9.53
Gas Line	mm	φ12.7	φ12.7	φ15.88	φ15.88
Condensate Drain		VP25	VP25	VP25	VP25
Packing Volume	m ³	0.19	0.19	0.23	0.23

NOTES:
 1.The nominal cooling capacity and heating capacity are based on following conditions:
 Cooling Operation Conditions
 Indoor Air Inlet Temperature: 27°C DB(80°F DB), 19.0°C WB(66.2°F WB)
 Outdoor Air Inlet Temperature: 35°C DB(95°F DB)
 Piping Length: 7.5 Meters Piping Lift: 0 Meter
 Heating Operation Conditions
 Indoor Air Inlet Temperature: 20°C DB(68°F DB)
 Outdoor Air Inlet Temperature: 7°C DB(45°F DB), 6°C WB(43°F WB)

2. The sound pressure level is based on following conditions:
 1.5m meters from the unit and 1.5m meters from floor level.
 The above data was measured in an anechoic chamber so that reflected sound should be taken into consideration in the field.

Unit : mm

Model	Dimension	a	b	c	d	e	f
AVH-09*		1154	948	669	898	924	928
AVH-14*		1154	948	669	898	924	928
AVH-18*		1424	1218	939	1168	1194	1198
AVH-24*		1424	1218	939	1168	1194	1198