

Indoor Unit

Indoor Unit

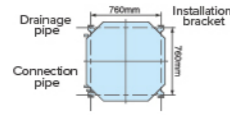
4-Way Cassette Type

Compact and Thin

The height of the unit is just 248mm (Less than 24.2KBtu/h), so it can be installed in a small space inside a ceiling.

Installation Direction Can be Changed Easily for Convenient Pipe Connection

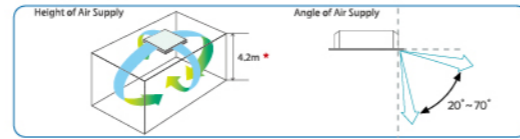
Squared design for unit body and installation bracket, unit body can be installed in any direction horizontally for convenient pipe connect position.



Input Power Reduced by Applying of New Developed DC Fan Motor

Employed several new technologies such as a ferritic magnetic surface-mounted rotor, centralized winding system and split core system, the motor efficiency is improved in all aspects, smaller and lighter.

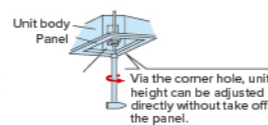
With Broad Range of Air Supply, is Suitable to be Used in High Ceiling and Great Space



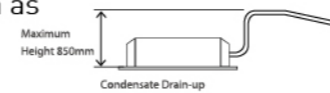
When indoor unit model is AVC 27~54,
When indoor unit model is AVC 09~24*, the Value is 3.5m.

Body Height Easily Adjustable in the Corner Pockets

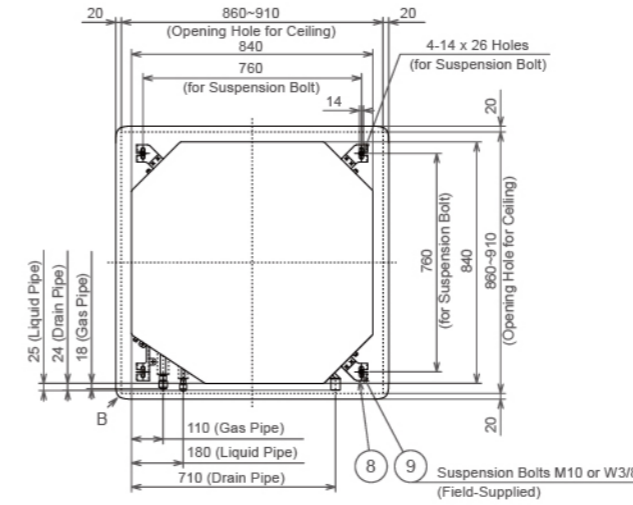
A pocket is provided for each of the four panel corners, so that the body height can be adjusted easily without removing the panel.



Drain-up Mechanism as Standard Part

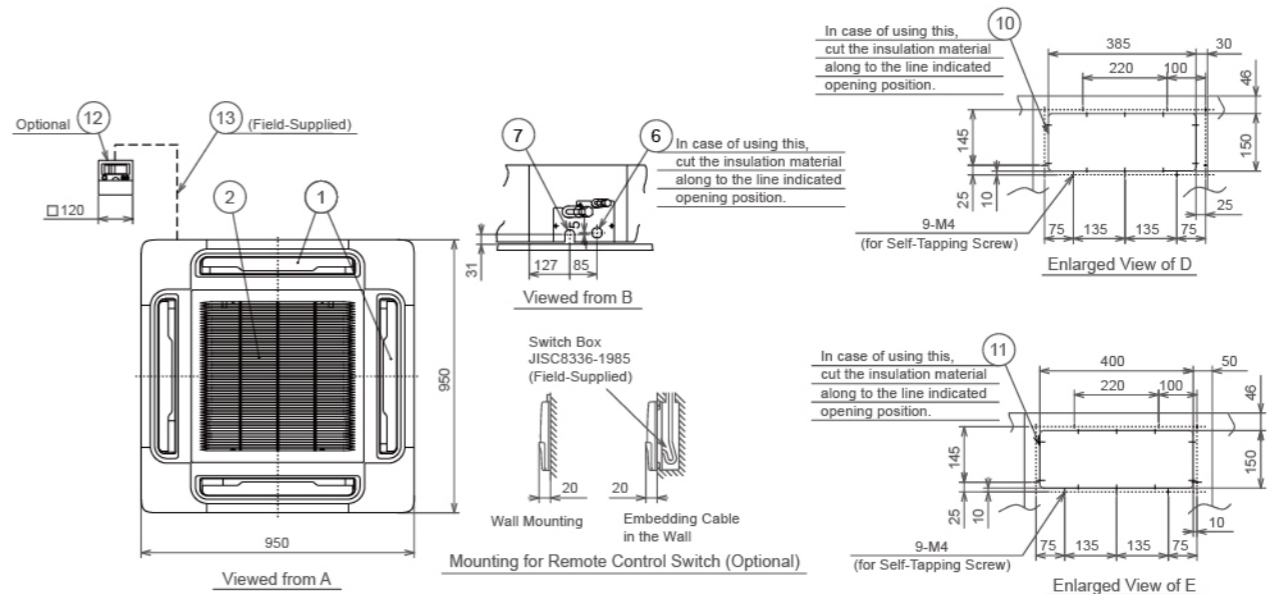
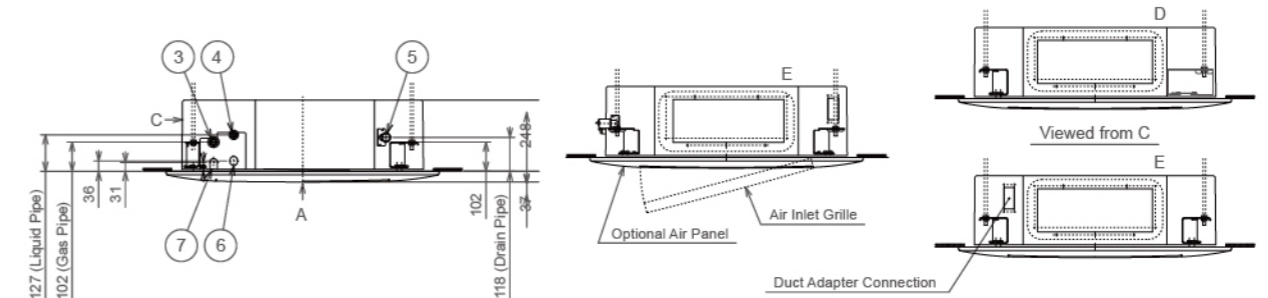


Models: AVC-09~24*EB Model Unit:mm



Mark	Name	Remark
1	Air Outlet	4-Way
2	Air Inlet	
3	Refrigerant Gas Pipe Connection	with φa Flare Nut
4	Refrigerant Liquid Pipe Connection	with φb Flare Nut
5	Drain Pipe Connection	VP25
6	Wiring Hole for Conduit Tube	φ32.5 Knockout Hole
7	Wiring Hole	30 x 39 Hole
8	Suspension Bracket	
9	Suspension Bolt	4-M10 or W3/8
10	Supply Duct Connection	150 x 385 Knockout Hole
11	Supply Duct Connection	150 x 400 Knockout Hole
12	Remote Control Switch	without Cable
13	Shielded Twist-Pair Cable	Min. 0.75mm ² , Field-Supplied

Model	Dimension	a	b
09~14		12.7	6.35
17/18		15.88	6.35
22/24		15.88	9.53



Indoor Unit		4-Way Cassette Type													
Model	Power Supply	AC1Φ 220-240V/50Hz	AVC-09 UXC5EB	AVC-12 UXC5EB	AVC-14 UXC5EB	AVC-17 UXC5EB	AVC-18 UXC5EB	AVC-22 UXC5EB	AVC-24 UXC5EB	AVC-27 UXC5EB	AVC-30 UXC5EB	AVC-38 UXC5EB	AVC-48 UXC5EB	AVC-54 UXC5EB	
Nominal Cooling Capacity	KW	2.8	3.6	4.3	5.0	5.6	6.3	7.1	8.4	9.0	11.2	14.2	16.0		
	Kcal/h	2,400	3,100	3,700	4,300	4,800	5,400	6,100	7,200	7,700	9,600	12,200	13,800		
	Btu/h	9,600	12,300	14,700	17,100	19,100	21,500	24,200	28,700	30,700	38,200	48,500	54,600		
Nominal Heating Capacity	KW	3.3	4.2	4.9	5.6	6.5	7.5	8.5	9.6	10.0	13.0	16.3	18.0		
	Kcal/h	2,800	3,600	4,200	4,800	5,600	6,500	7,300	8,300	8,600	11,200	14,000	15,500		
	Btu/h	11,300	14,300	16,700	19,100	22,200	25,600	29,000	32,800	34,100	44,400	55,600	61,400		
Noise Level (H/M/L)	dB(A)	30-29-27	31-29-27	31-29-27	32-30-27	32-30-27	33-31-29	33-31-29	36-34-32	36-34-32	41-38-35	44-39-36	44-42-38		
Outer Dimensions	H	mm	248	248	248	248	248	248	298	298	298	298	298		
	W	mm	840	840	840	840	840	840	840	840	840	840	840		
	D	mm	840	840	840	840	840	840	840	840	840	840	840		
Net Weight	Kg	22	22	22	23	23	23	23	24	24	27	27	27		
Air Flow Rate (H/M/L)	m ³ /h	780/720/660	900/810/720	900/810/720	960/840/720	960/840/720	1140/1020/900	1200/1020/900	1560/1380/1200	1560/1380/1200	1920/1680/1440	2040/1740/1500	2220/1820/1620		
Motor Power	W	40	50	50	50	50	60	60	90	90	120	150	160		
Piping Connections			VP25(Outer Diameter φ32)												
Liquid Line	mm	φ6.35	φ6.35	φ6.35	φ6.35	φ6.35	φ9.53	φ9.53	φ9.53	φ9.53	φ9.53	φ9.53	φ9.53		
Gas Line	mm	φ12.7	φ12.7	φ12.7	φ15.88	φ15.88	φ15.88	φ15.88	φ15.88	φ15.88	φ15.88	φ15.88	φ15.88		
Condensate Drain			Flare-nut Connection(with Flare Nuts)												
Approximate Packing Measurement	m ³	0.22	0.22	0.22	0.22	0.22	0.22	0.22	0.26	0.26	0.26	0.26	0.26		
Standard Accessories			Suspension Drackets												
Panel Model			HPE-A-NA												
Cabinet Color			Neutral White												
Outer Dimensions	H	mm	37	37	37	37	37	37	37	37	37	37	37		
	W	mm	950	950	950	950	950	950	950	950	950	950	950		
	D	mm	950	950	950	950	950	950	950	950	950	950	950		
Net Weight	kg	6	6	6	6	6	6	6	6	6	6	6	6		
Packing Volume	m ³	0.08	0.08	0.08	0.08	0.08	0.08	0.08	0.08	0.08	0.08	0.08	0.08		

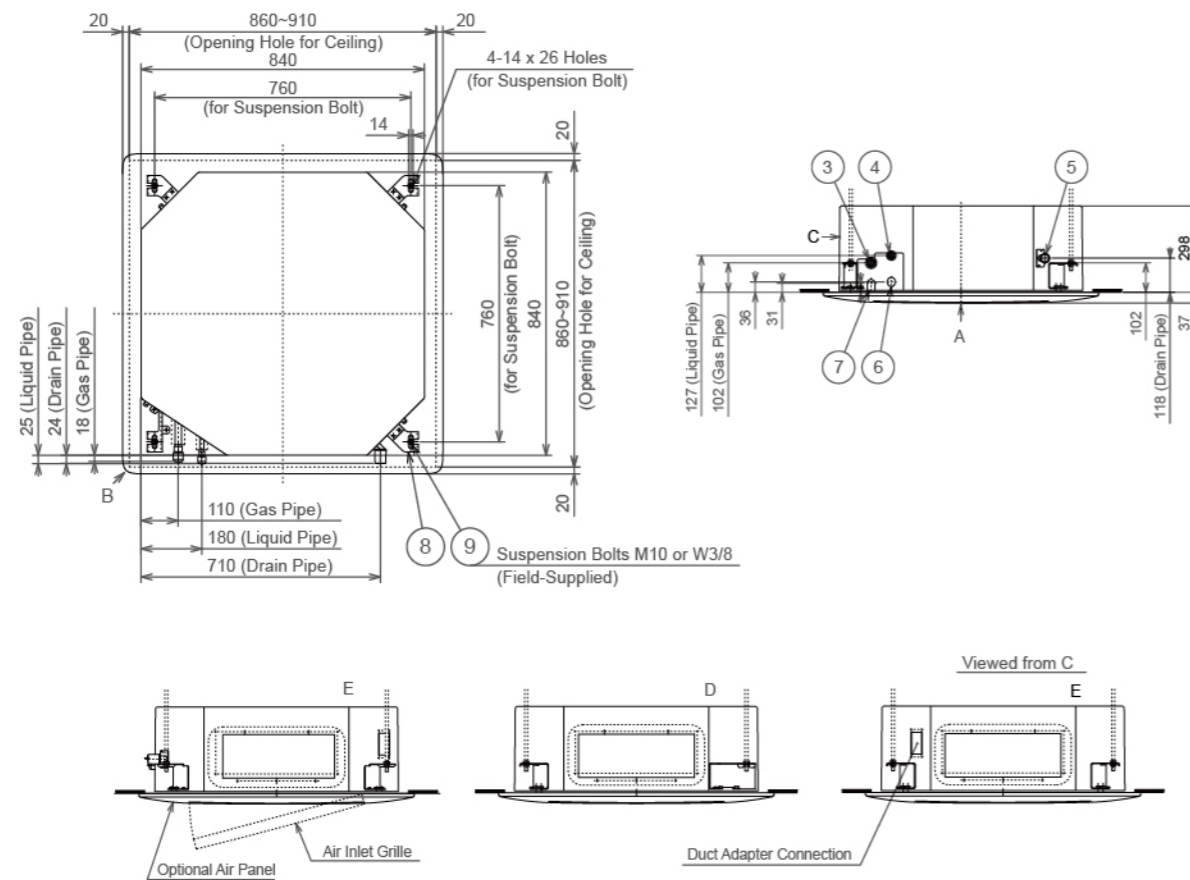
NOTES:
 1. The nominal cooling capacity and heating capacity are based on following conditions:
 Cooling Operation Conditions
 Indoor Air Inlet Temperature: 27°C DB(80°F DB), 19.0°C WB(66.2°F WB)
 Outdoor Air Inlet Temperature: 35°C DB(95°F DB)
 Piping Length: 7.5 Meters Piping Lift: 0 Meter
 Heating Operation Conditions
 Indoor Air Inlet Temperature: 20°C DB(68°F DB)
 Outdoor Air Inlet Temperature: 7°C DB(45°F DB), 6°C WB(43°F WB)
 2. The sound pressure level is based on following conditions: 1.5m beneath the unit.
 The above data was measured in an anechoic chamber so that reflected sound should be taken into consideration in the field.

Indoor Unit

Indoor Unit

4-Way Cassette Type

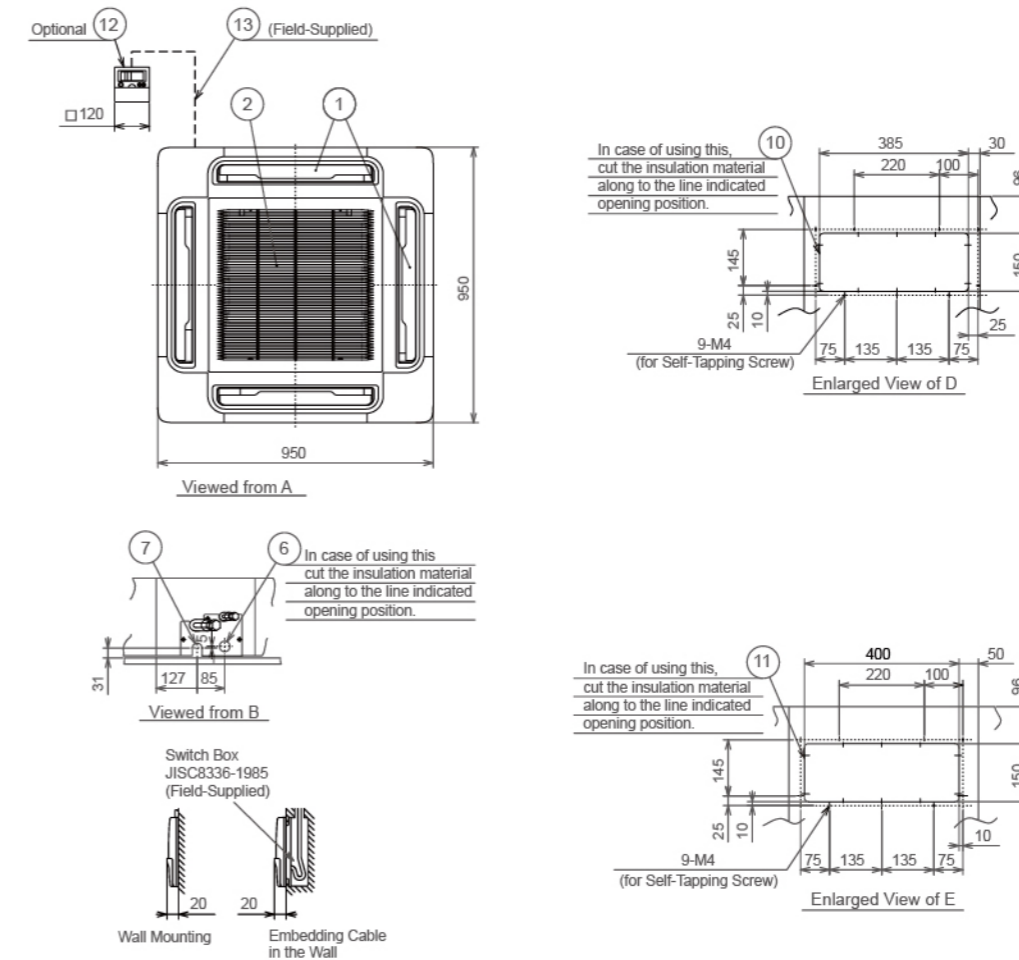
Models: AVC-27~54*FB Model Unit:mm



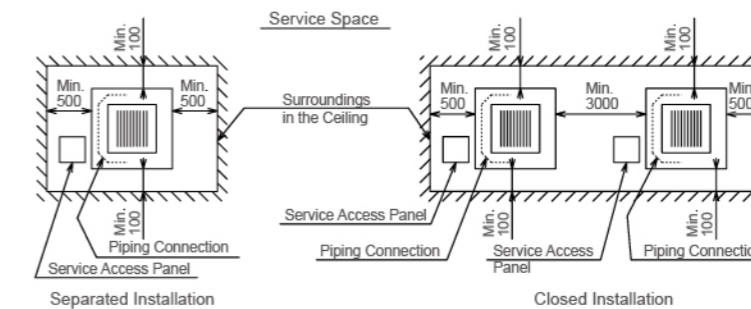
Unit: mm

Mark	Name	Remark
1	Air Outlet	4-Way
2	Air Inlet	
3	Refrigerant Gas Pipe Connection	with φa Flare Nut
4	Refrigerant Liquid Pipe Connection	with φb Flare Nut
5	Drain Pipe Connection	VP25
6	Wiring Hole for Conduit Tube	φ32.5 Knockout Hole
7	Wiring Hole	30 x 39 Hole
8	Suspension Bracket	
9	Suspension Bolt	4-M10 or W3/8
10	Supply Duct Connection	150 x 385 Knockout Hole
11	Supply Duct Connection	150 x 400 Knockout Hole
12	Remote Control Switch	without Cable
13	Shielded Twist-Pair Cable	Min. 0.75mm ² , Field-Supplied

Dimension	a	b
HP		
27/30	15.88	9.53
38	15.88	9.53
48/54	15.88	9.53



Mounting for Remote Control Switch (Optional)



NOTE:
Distance between the wall and panel edge must be a min. 1500mm to prevent short circuiting.